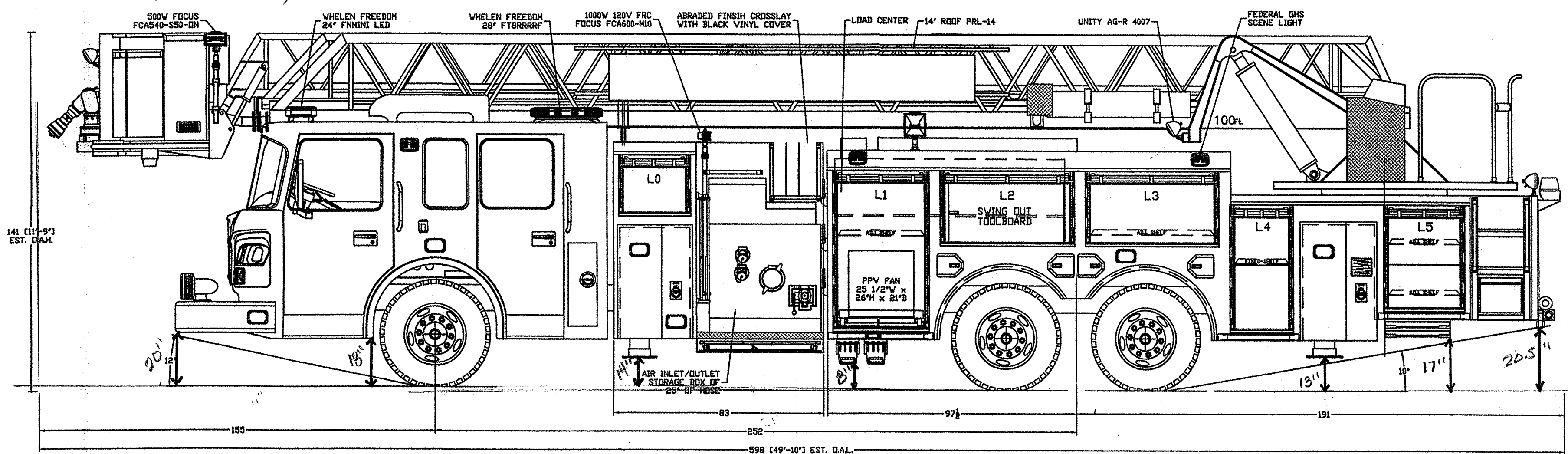
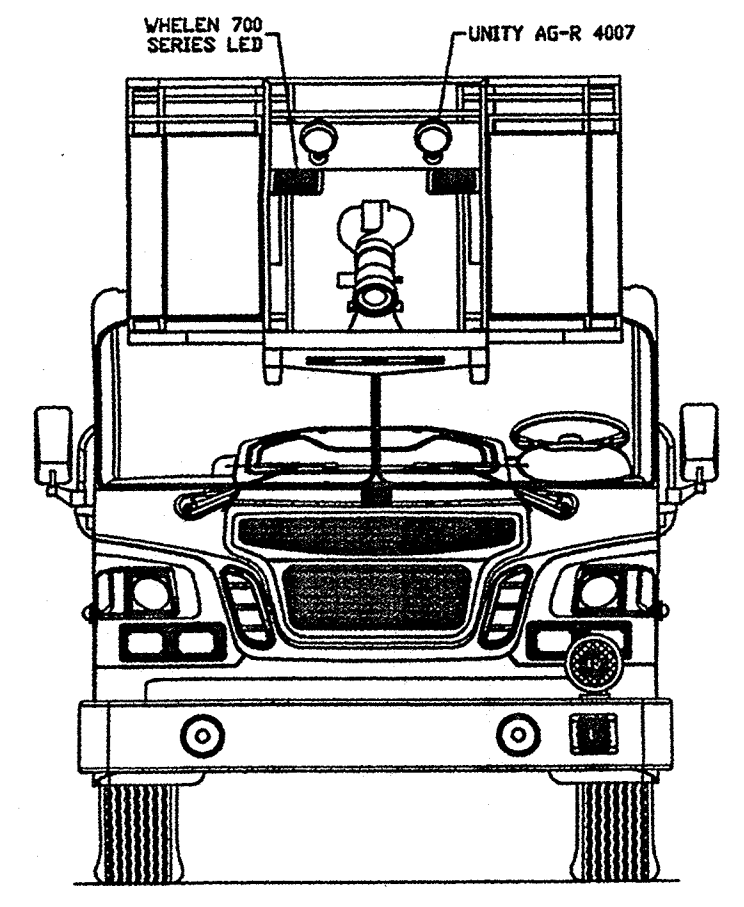
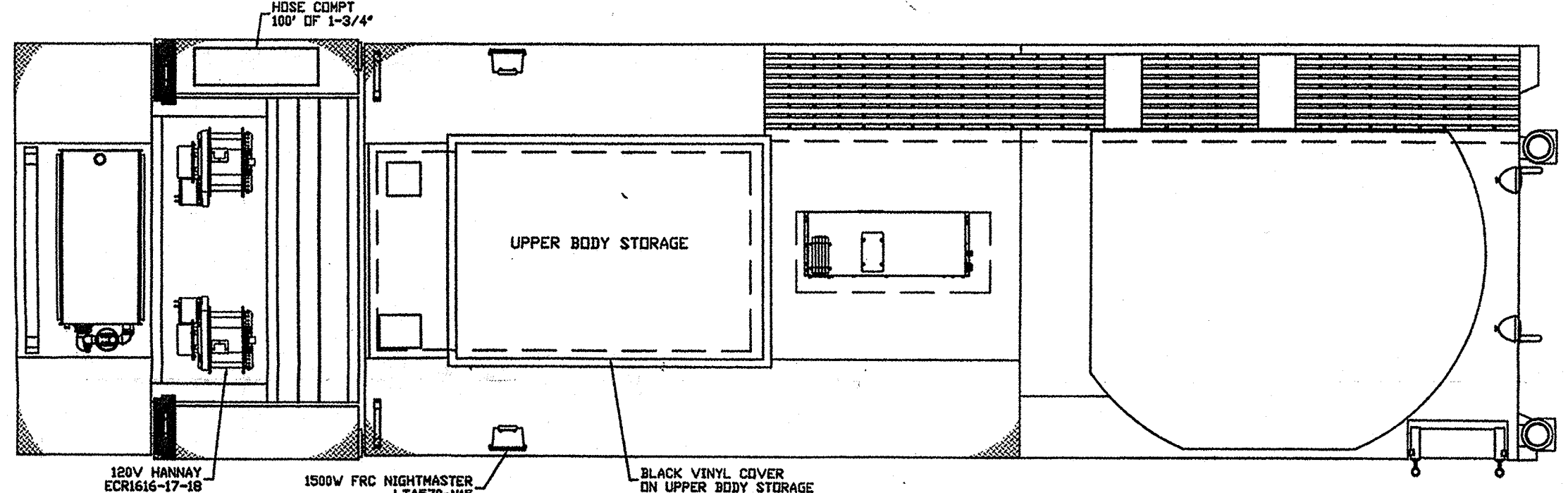


GROUND LADDERS & PIKE POLES			
ITEM	DESCRIPTION	MODEL	QTY
A	35' 2 SEC	1200A	2
B	28' 2 SEC	1200A	1
C	20' ROOF	875A	1
D	16' ROOF	875A	1
E	14' FRESNO	701	1
F	10' ATTIC	585A	1
G	6' PIKE POLE	FP6	2
H	8' PIKE POLE	FP8	2
I	12' PIKE POLE	FP12	2

COMPT.	OPENING	UPPER DEPTH	LOWER
L0	25W x 17H	23	-
L1	34W x 56H	23	23
L2/L3	49W x 23H	23	-
L4	21W x 43H	14	23
L5	28W x 35H	14	22
R0	25W x 17H	23	-
R1	34W x 56H	23	23
R2	49W x 23H	23	-
R3	21W x 25H	-	23
R4	49W x 16H	-	14/23
INTERMEDIATE DIVIDE HEIGHT			
L4	25	L5	17



NOTE:
 DIMENSIONS SHOWN ARE APPROXIMATE AND ARE SUBJECT TO CHANGE AS MAY BE FOUND NECESSARY DURING CONSTRUCTION. MINOR DETAILS MAY NOT BE SHOWN.

THE DRAWING IS FOR REFERENCE PURPOSES ONLY. SOME ITEMS MAY OR MAY NOT APPEAR ON THE DRAWING THAT MAY OR MAY NOT INCLUDED IN THE SPECIFICATIONS. SPECIFICATIONS SHALL BE THE FINAL AUTHORITY TO BE DETERMINED WHAT IS SUPPLIED ON THE APPARATUS.

CHASSIS: SPARTAN LFD W/ 3" NOTCH
 PUMP: WATEROUS CSUC20 2000 GPM
 WATER TANK: 300 GAL
 FOAM TANK: 30 GAL
 HOSE BED: 800' OF 5"
 GENERATOR: QNAN 15kW
 COMPARTMENTS: 225 CUBIC FEET
 EXTRA PENETRATION OUTRIGGERS

FINAL APPROVAL

Date	Approval Signatures	Revisions
	DEALER	
	FIRE CHIEF	
	SALES AD.	
	PRODUCTION	
	ENGINEERING	

WE BUILD RESPECT.

Revisions	Scale	Material
KS REVISED 10/25/11	3/8"=1'	

**SMEAL FIRE APPARATUS
 SNYDER, NE 68664**

**JOHNSON CITY, TN
 100' PLATFORM**

Drawn by: KS	Date: 08/12/11	Drawing No: 3912
Checked: SD		